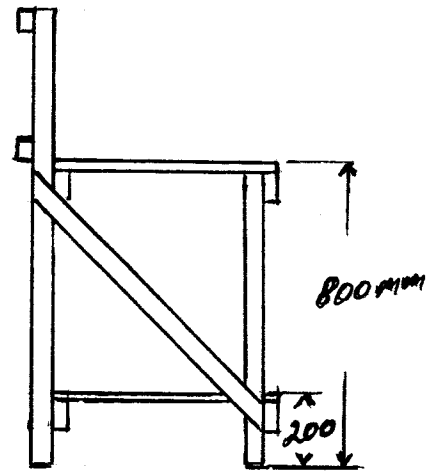
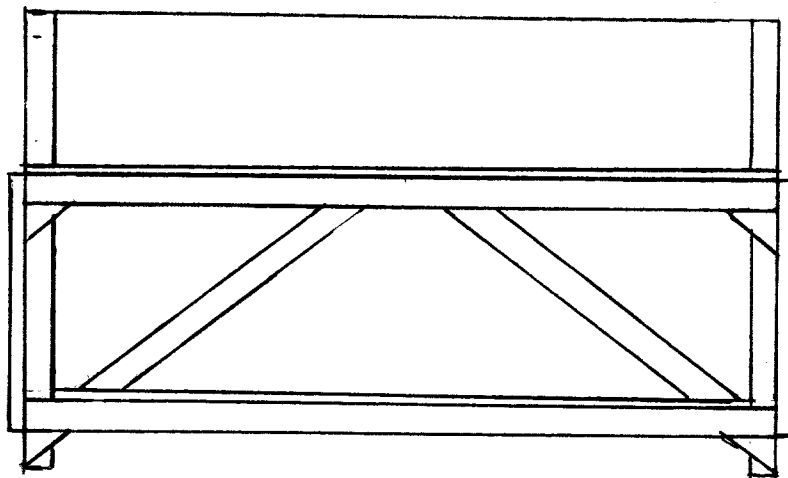
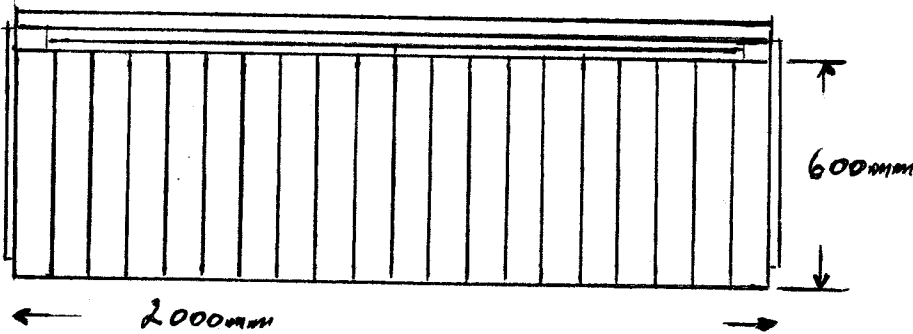


Potting Bench

21/5/2015



- Materials - Recycled timber where possible
- Construction - Exterior grade bolts, screws, nails:
- Legs bolted to rails.
 - Braces screwed to legs.
 - Shelving timbers nailed/screwed to rails.
 - All pieces sanded to minimise splinters.
 - Actual sizes may vary to suit application.
 - Front legs to have metal braces added.

Potting Bench
21/5/2015

