

Microbats

Microbats are tiny insect-eating bats which use ultrasonic sonar to navigate at night.

There are over 20 different species in Western Sydney each with their own peculiarities. There is even a local microbat which specialises in feeding from lakes and dams. The 'Fishing Bat' uses its long toes to skim the water and pluck small fish and insects from the surface.

Microbat nest boxes have their own unique design. The box has a series of slits inside and the bats squeeze in to roost between them. Microbats come in different sizes so it's important to offer different sized gaps in the box to suit them.

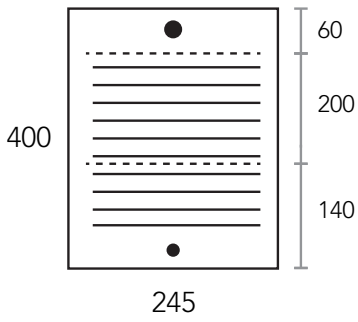
You can easily do without a hinged lid on the microbat boxes. The best way to monitor them is to just look up into the slits. You can sometimes see the bats fly out at dusk. Bats can roost solitarily but a good box will also suit small colonies including the critical breeding females.



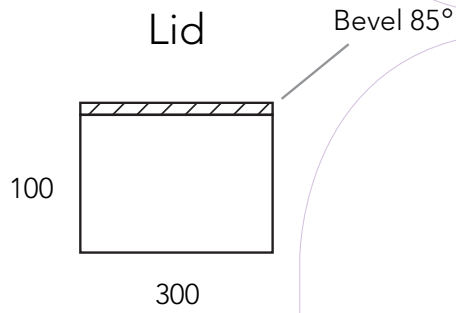
Microbat © Peter Ridgeway

Microbat (17mm ply)

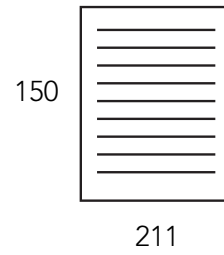
Back



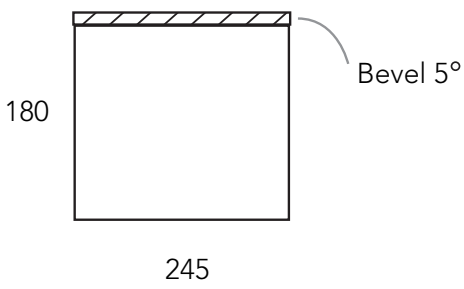
Lid



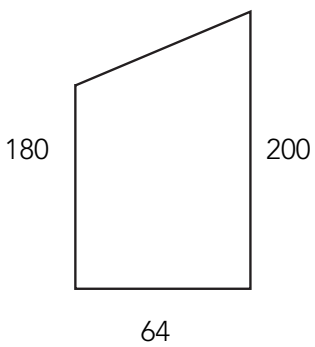
Baffle



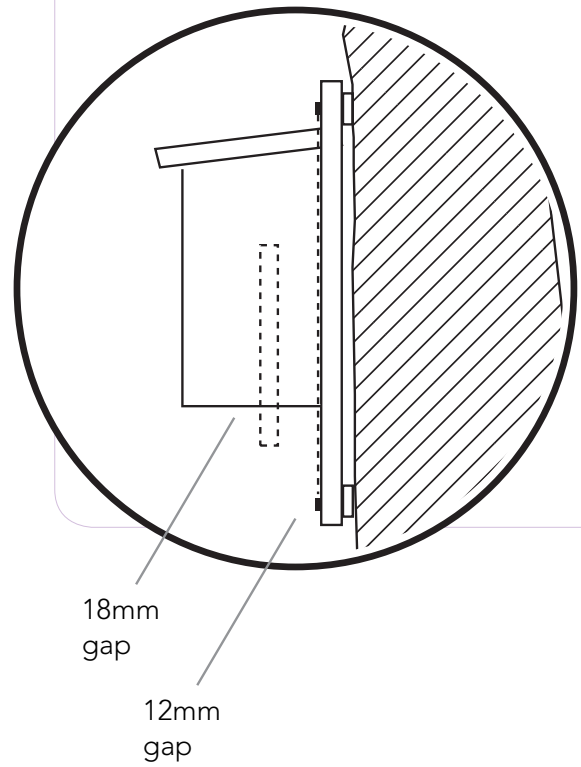
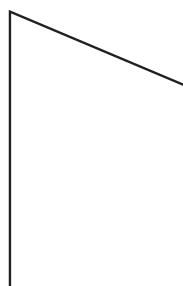
Front



Right Side



Left Side





Attachment with PVC Pipe 'spacer'

